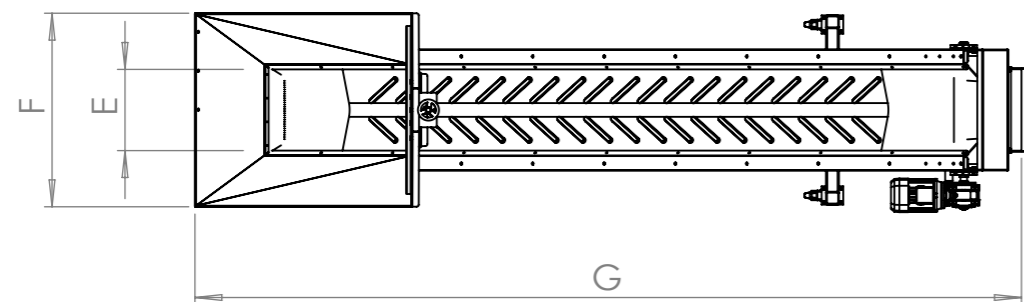
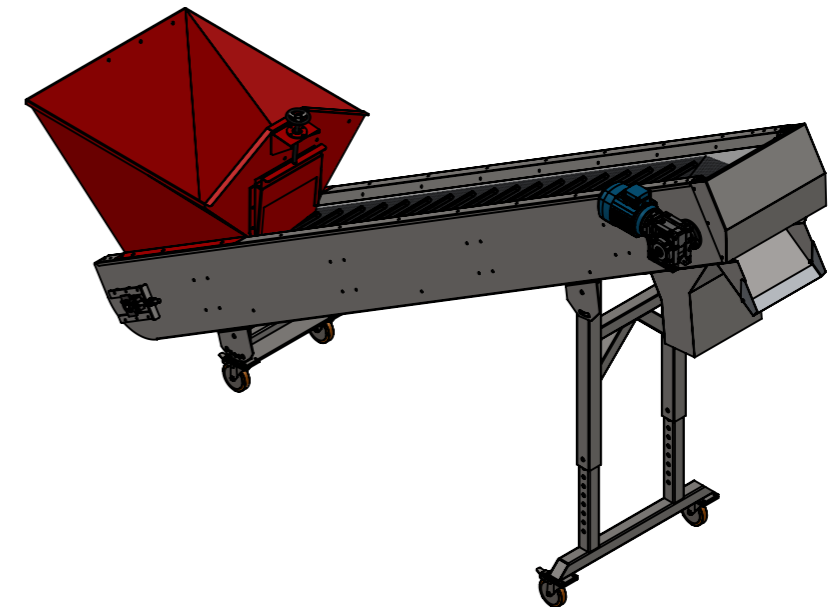
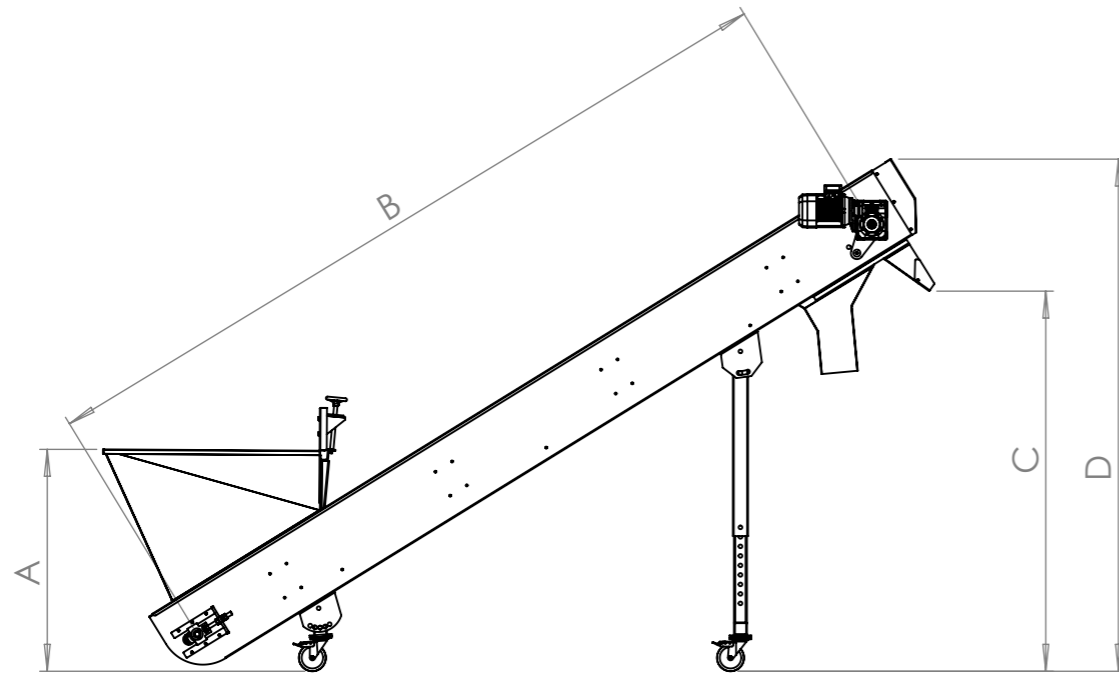



Specifiche Tecniche / Technical Specifications

Tipo Type	Potenza Power [kW]	Dimensioni Massime Overall Dimensions [mm] / [Inch]							Volume Tramoggia Hopper Volume [m³] / [ft³]	Peso Weight [Kg]
		A	B	C	D	E	F	G		
400-2900	0.75	890 / 35	2900 / 114.2	1430 / 56.3	2025 / 79.7	375 / 14.8	780 / 30.7	3040 / 119.7	0.16 / 5.7	425 / 937
400-3650	0.75	890 / 35	3650 / 143.7	1730 / 68.2	2370 / 93.3	375 / 14.8	780 / 30.7	3830 / 150.8	0.16 / 5.7	530 / 1168
400-3650	0.75	1025 / 40.4	3650 / 143.7	1760 / 69.3	2370 / 93.3	375 / 14.8	895 / 35.3	3830 / 150.8	0.28 / 9.9	550 / 1212
500-5400	0.75	995 / 39.2	5400 / 212.6	2305 / 90.8	3150 / 124.0	475 / 18.7	895 / 35.3	5540 / 218.1	0.20 / 7.1	640 / 1410
500-5400	0.75	1270 / 50	5400 / 212.6	2305 / 90.8	3150 / 124.0	475 / 18.7	895 / 35.3	5610 / 220.9	0.46 / 16.25	660 / 1455



 <small>Via E. Rossaro, 7 - 44012 Bondeno (FE) Tel. +39(0)532 897664 Fax +39(0)532 891270 www.mgrecycling.it e-mail:info@mgrecycling.it</small>	DESCRIPTION LOADING BELT TECHNICAL SHEET		DATE	
	NOTES -	SHEET	SCALE	WEIGHT (kg)
	DISIGNER	FORMAT A3	DRAWING CODE	REVIEW
	<small>ANY DRAWING OR TECHNICAL DOCUMENT RELATING TO OUR PRODUCTS, EVEN IF RETURNED TO THE CLIENT, IS ALWAYS EXCLUSIVE PROPERTY OF MG.RECYCLING srl, AND CANNOT BE USED BY THE CLIENT, COPIED, REPRODUCED, TRANSMITTED OR COMMUNICATED TO THIRD PARTY WITHOUT OUR PRIOR WRITTEN AUTHORISATION.</small>			